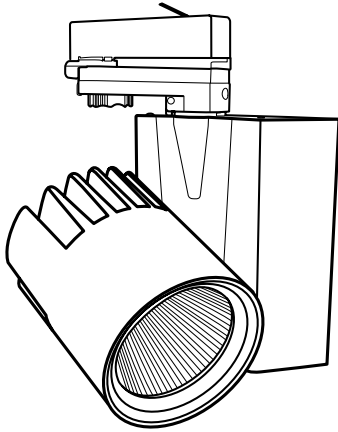


TIMO
TRACK LIGHT



Disclaimer: Please read this product manual carefully before installing the product.

Warranty is void if installation guidelines are disregarded, if the product has been modified, or if damage is caused by misuse or improper installation.

Images, drawings and diagrams are for illustrative purposes only.

BIA products are manufactured and certified in accordance with all mandatory Australian Standards.

Technical data and information subject to changes. Please visit our website for latest version.



Must be installed by a licensed electrician.

Must be installed in accordance with relevant Australian Standards.

PRODUCT SPECIFICATIONS

Input Voltage : 240VAC
 Operating Temperature : -10 to 40°C
 Dimming : No
 Material : Aluminium



PRODUCT VARIANTS

Power:	25W	35W
Beam Angle :	20°	15°
	30°	25°
	50°	38°
CCT :	3000K	
	4000K	
	5000K	
Colour :	White	
	Black	

PARTS INCLUDED



Track Light

OPTIONAL COMPATIBLE PARTS *sold separately*



Track Rail

ADDITIONAL INFORMATION

1. This product is suitable for indoor use only.
2. If cleaning maintenance is required, disconnect from mains supply and allow luminaire to cool. Use a clean microfibre cloth, slightly dampened with a mild dilution of detergent that is PH neutral, alcohol free and non-abrasive.
3. Do not use harsh chemicals or solvents. Do not use high pressure cleaners.
4. Care must be taken during installation and maintenance to prevent accidental damage to the surface of the luminaire. These damages may result in corrosion.

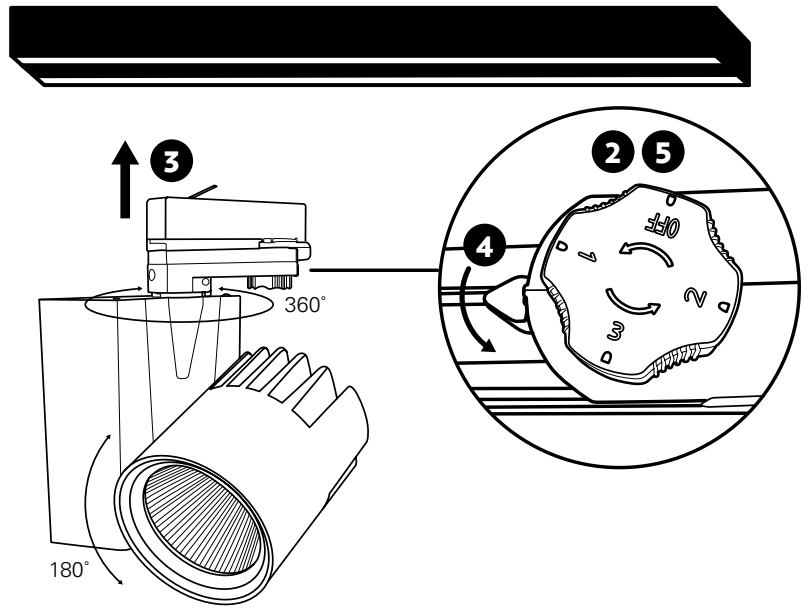
WARRANTY STATEMENT This product is covered by a 3 year replacement warranty.

BIA guarantees this product to be free of defects from the date of purchase for the stated period above. If product fails within the warranty period, BIA will fix or replace the product. This excludes any costs associated with the removal or installation of product. This warranty is subject to the terms and conditions stated on www.bia.lighting. Failure to comply with installation guidelines will automatically void the warranty. Please retain purchase receipt. For more information on warranty please visit www.bia.lighting/warranty

BIA reserves the right to change specifications and other information, modify products and discontinue items without prior notification.

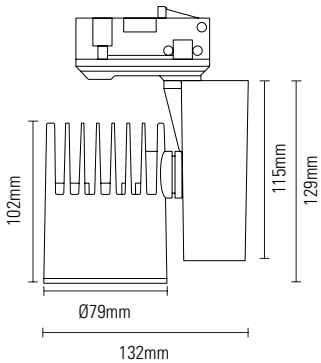
INSTALLATION INSTRUCTIONS

1. Before commencing installation, ensure the main power is switched off.
2. Rotate the switch, make sure it is in the OFF position.
3. Insert the tracklight adaptor into the rail.
4. Turn the switch to lock it against the rail.
5. Rotate the switch to the ON position.
6. Turn on main power.



DIMENSION DIAGRAM

25W



35W

